

6

5

4

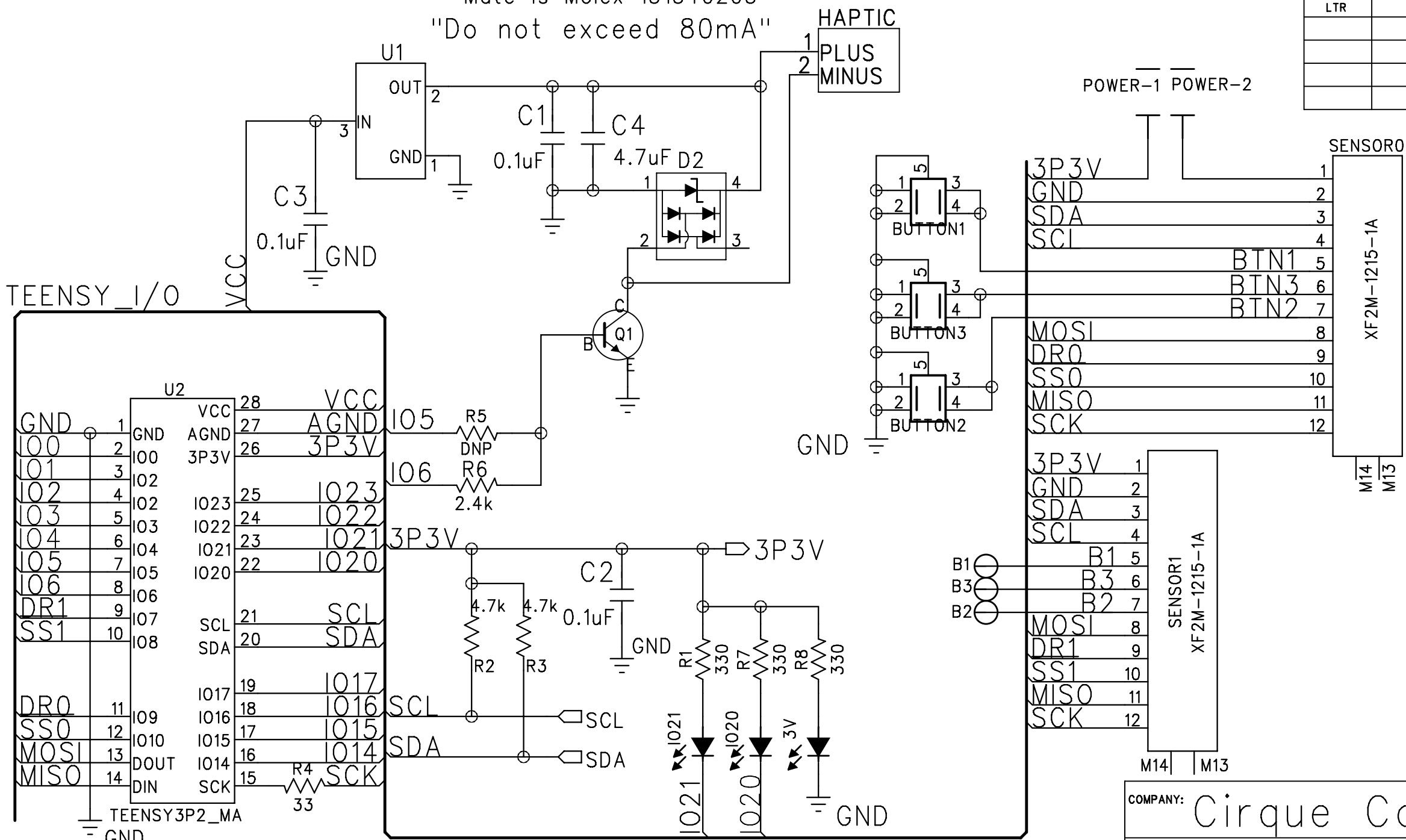
3

2

1

REVISION RECORD			
LTR	ECO NO:	APPROVED:	DATE:

Mate is Molex 151340203  
 "Do not exceed 80mA"



COMPANY: Cirque Corporation

TITLE: GLIDEPOINT DEV KIT 12 PIN SPI I2C 0.5MM

DRAWN: Doug Steck	DATED: 2017/04/06	CODE:	SIZE:	DRAWING NO:	REV:
CHECKED: <Checked By>	DATED: <Checked Date>	<Code>	B	8C-000620-00	A00
QUALITY CONTROL: <QC By>	DATED: <QC Date>	SCALE: <Scale>			SHEET: 1 OF 2
RELEASED: <Released By>	DATED: <Release Date>				



6

5

4

3

2

1

REVISION RECORD			
LTR	ECO NO:	APPROVED:	DATE:

D

D

C

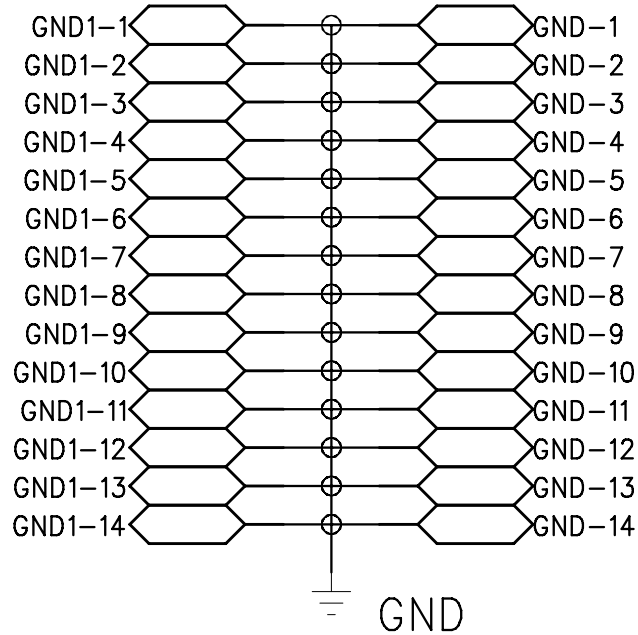
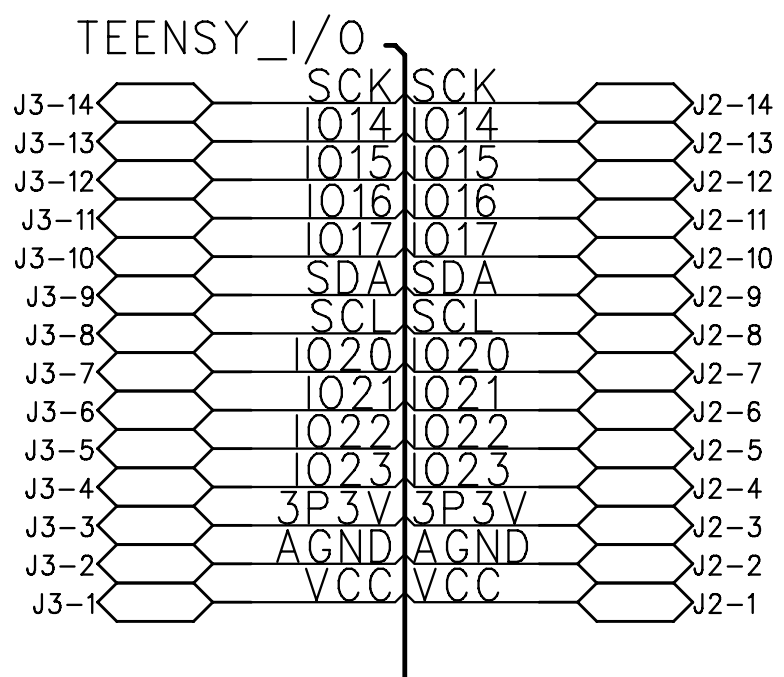
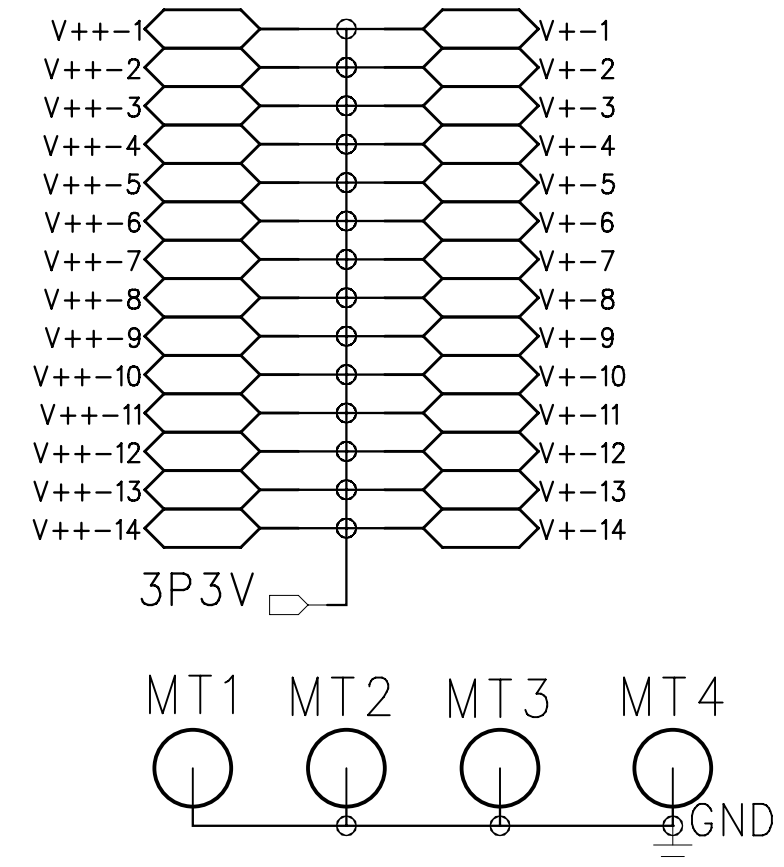
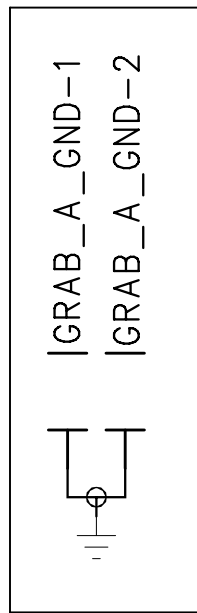
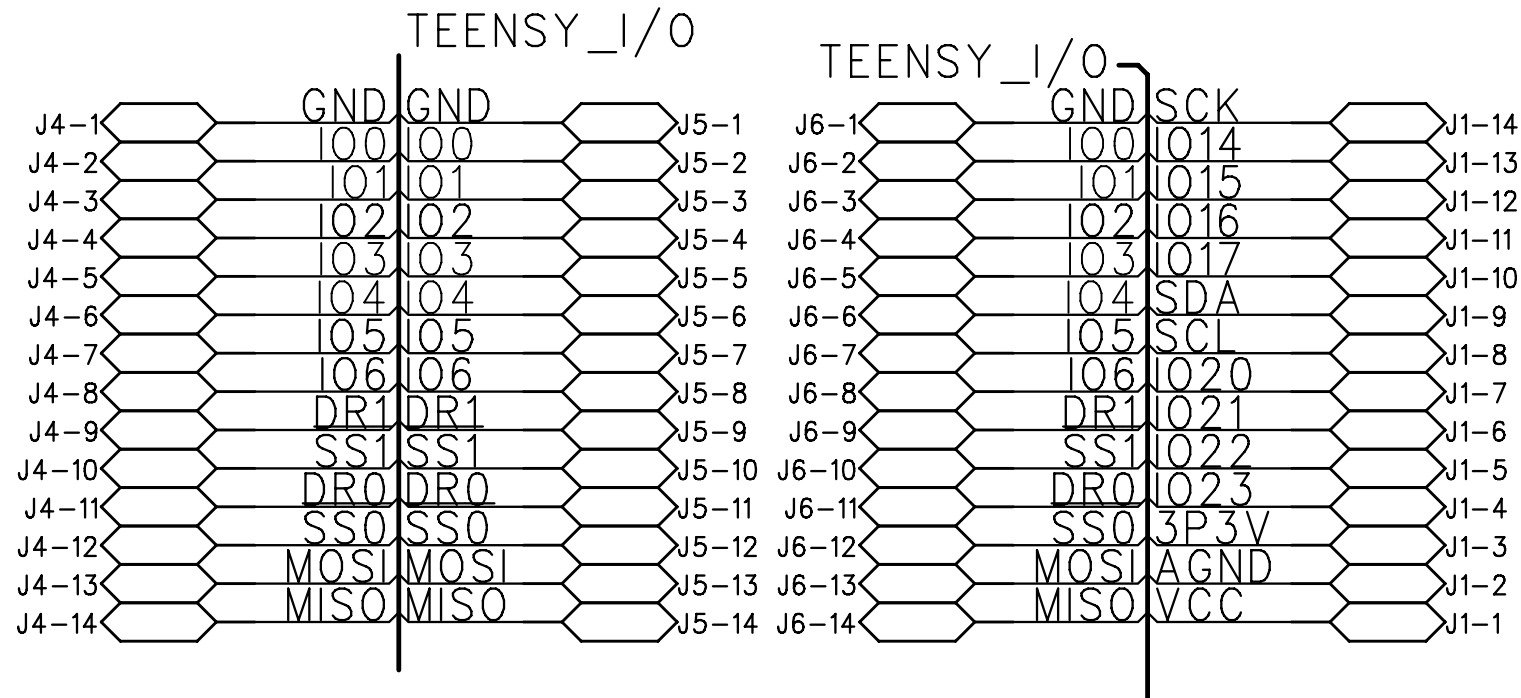
C

B

B

A

A



COMPANY: Cirque Corporation			
TITLE: GLIDEPOINT DEV KIT 12 PIN SPI I2C 0.5MM			
CHECKED: <Checked By>	DATED: <Checked Date>	CODE: <Code>	SIZE: B
QUALITY CONTROL: <QC By>	DATED: <QC Date>	DRAWING NO: 8C-000620-00	
RELEASED: <Released By>	DATED: <Release Date>	REV: A00	SHEET: 2 OF 2

DRAWN: Doug Steck	DATED: 2017/04/06
CHECKED: <Checked By>	DATED: <Checked Date>
QUALITY CONTROL: <QC By>	DATED: <QC Date>
RELEASED: <Released By>	DATED: <Release Date>